



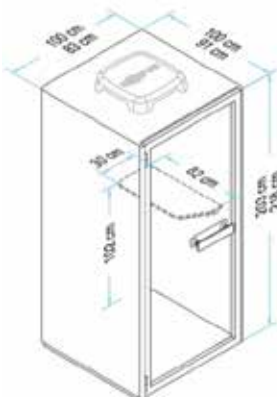
PRIVACY REDEFINED

WINPOD 3.0

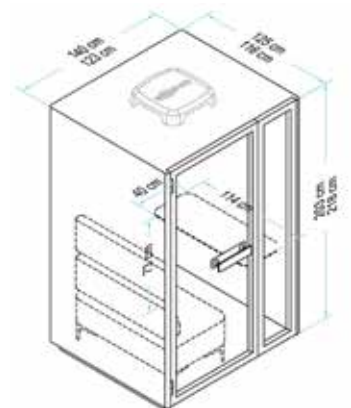
TECHNICAL SHEET

WINPOD 3.0 is a portable pod that has high acoustic rating enables you to exploring incredible ideas and have a productive discussion with your colleagues. More important is to keep your discussion and calls private, or might be your sanctuary space.

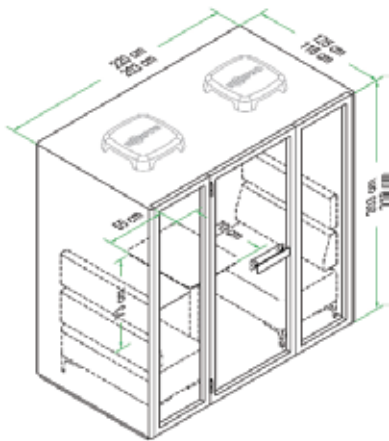
S POD



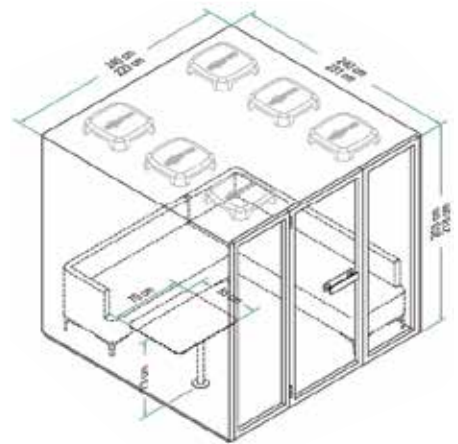
W POD



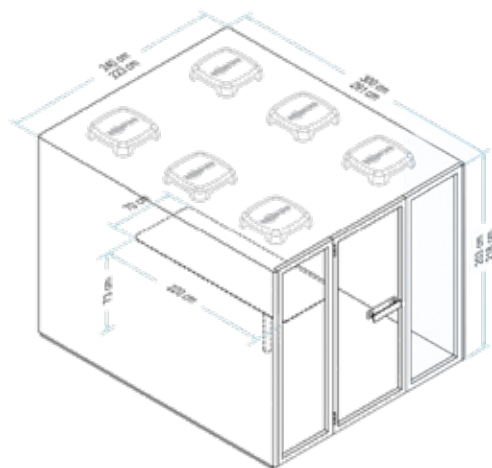
D POD



C POD



M POD



	S	W	D	C	M
Material	1.2mm Electro Galvanise				
Dimension (mm)					
- Exterior	1000 x 1000 x 2280	1400 x 1250 x 2280	2200 x 1250 x 2280	2400 x 2400 x 2280	2400 x 3000 x 2280
- Interior	850 x 800 x 2030	1250 x 1050 x 2030	2050 x 1050 x 2030	2250 x 2200 x 2030	2250 x 2800 x 2030
External Finishing	Epoxy Powder Coating				
Internal Finishing	Polyester Fiber Acoustic Felt				
Floor Finishing	Fiber Nylon Carpet (Black and Silver*)				
Glass Door	Alumunium Frame with 8mm Tempered Glass				
Rear Glass	8mm Laminated				
Door Closer	Yes				
Table (mm) Melamine Chipboar with Black Edging	710 x 320 x 25	1040 x 400 x 25 (sliding table)	710 x 320 x 25	A – No B – 1600 x 750 x 25 C – 700 x 550 x 25	A – No B – 2200 x 700 x 25 C – 700 x 550 x 25
Power Socket	1x Universal socket			2x Universal socket	
USB Charger	1x Type A Outlet			A – No B – 1x Type A Outlet C – 1x Type A Outlet	
USB C Charger	1x Type C Outlet			A – 1x Type C Outlet B – No C – 1x Type C Outlet	
CAT6 Outlet	1NO x CAT6			A – 1No x Twint Cat6 B – 1No x Twin Cat6, HDMI, & Audio Jack C - No	
Ventilation Fan	1 Cross Flow Fan		2 Cross Flow Fan	6 Cross Flow Fan	
Sensor (5min -12V DC)	Yes				
Lighting LED 4000K	1NO (11W)			2NO (40W)	
Dimmer	Yes				
Total Air Supply	131 m3/Hour		262 m3/Hour	524 m3/Hour	786 m3/Hour
Air Exchange Per Hour	81 ACH	37 ACH	59 ACH	52 ACH	62 ACH
Air Purified System	1 Set Pre Filter		2 Set Pre Filter	6 Set Pre Filter	
Heavy Duty Castor	4			No	

	S	W	D	C	M
Adjustable Footcap	4		6	18	
Power Consumption	0.18 A		0.33 A	0.47 A	
Power Cord from POD 3m	Yes				
Net Weight	311kg	447kg	592kg	970kg	
Furniture	No	Sofa			

Note:

*Silver Nylon Carpet only available for C/M POD

**Optional Sofa for C/M POD

A – Bare Unit

B – Meeting Table with Socket Unit

C – Sofa Unit

CARE AND MAINTENANCE

WINPOD 3.0 does not require much maintenance, but it needs to be cleaned regularly to maintain its finish, appearance, and user's comfort. Lightly vacuum its interior (flooring and acoustic wall panel) and use a mild detergent to clean stains on the sofa. Wipe the exterior, glass door, and aluminum of WINPOD 3.0 to prevent dust and stains.