

Furnishing  
For Life



**NEW** PRIVACY REDEFINED

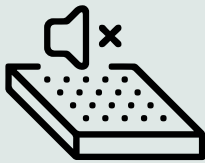
# winPOD 3.0

# About **WINPOD 3.0**

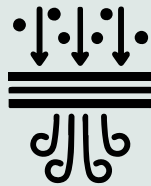
**WINPOD 3.0** comes with amazing features and offering advantageous combination of cost, quality, and sustainability to improve satisfaction and work performance.

Proven by GREENGUARD certification, **WINPOD 3.0** helping to reduce indoor air pollution and the risk of chemical exposure. The certificate contribute to LEED credits as well.





Acoustic material for sound insulation



Filtered air purifying system with HEPA filter



Can be installed by sprinkler hole



Easy to assemble and applied with castor for S/W/D POD



Energy saving with motion sensor and charging ports

# ACOUSTIC SOUND INSULATION

Through some sound level test, creates a serene and relaxing environment that counters the stress and anxiety feeling. Also, maximize the users' concentration and satisfaction.



CERTIFIED BY



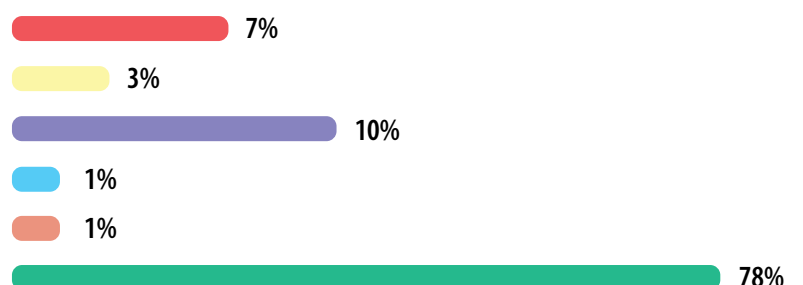
**HIGH ACOUSTIC RATING**

D<sub>S,A</sub> - CLASS B

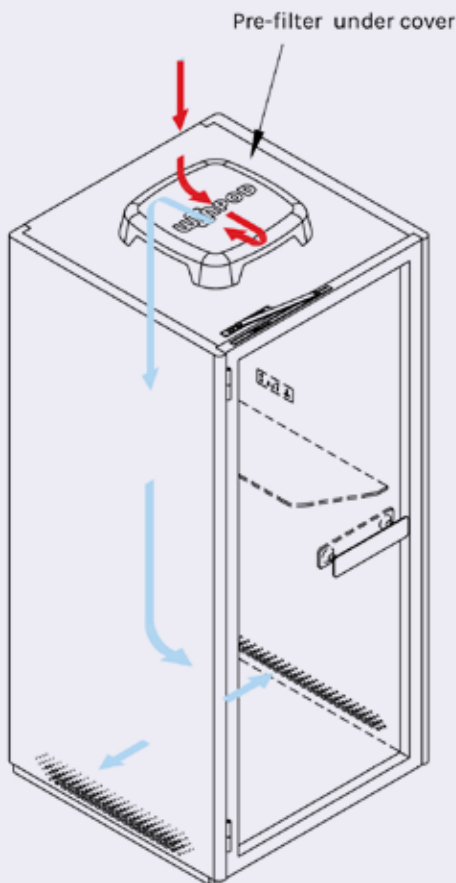
Based on ISO 23351-1 standard

# GREEN MANUFACTURING MATERIAL

In order to reduce environmental burden, WINPOD 3.0 is in line with the ideal of sustainable development by using 78% of galvanized steel for the S POD 3.0.





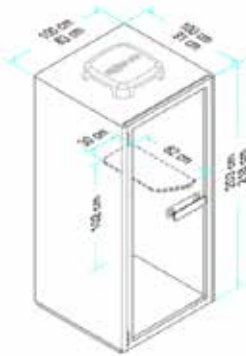


## FRESH & CLEAN AIR

WINPOD 3.0 utilizes a top-notch air ventilation to provide consumers a pleasant breathing environment.

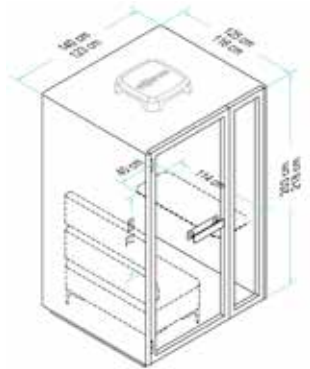
The air ventilation system enables a high enough air change and included with filter that captures airborne particles to cleanse entering air and enhance air quality.

Model	Airflow (m3/h)	Air Change Per Hour (ACH)
S POD	152	99
W POD	152	52
D POD	304	63
C POD	912	87
M POD	912	69



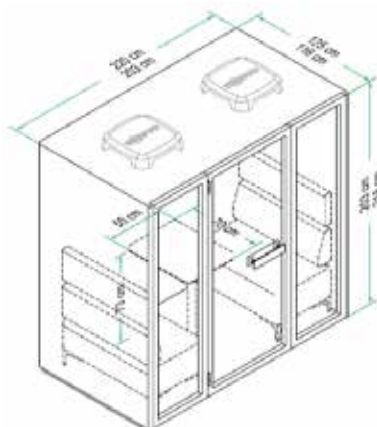
- Laminated Desktop
- Castor
- Power Consumption: 0.18 A
- POD Weight: 265.55kg

**S POD**



- Laminated Desktop
- Exclusive Design of Sofa with Backrest
- Castor
- Power Consumption: 0.18 A
- POD Weight: 363.7kg

**W POD**

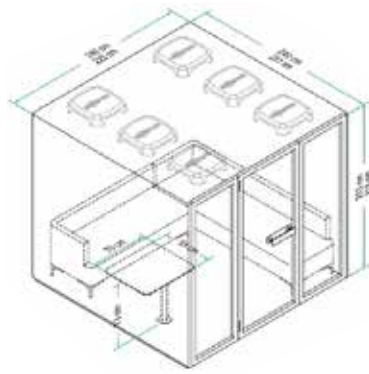


- Laminated Desktop
- Exclusive Design of Sofa with Backrest
- Castor
- Power Consumption: 0.18 A
- POD Weight: 363.7kg

**D POD**



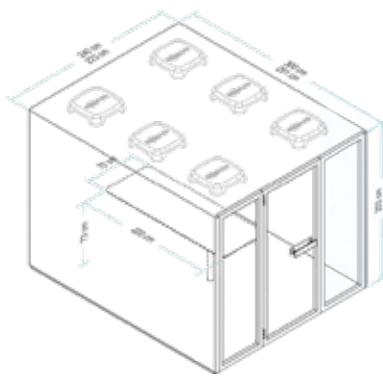
**C POD**



- Furnishing Options:
  - Exclusive L-Shaped Sofa
  - Meeting Table with Integrated Charging Ports
  - Bare Unit
- Additional Furnishing:
  - TV Bracket with AC Power Socket
  - Whiteboard
- Power Consumption: 0.47 A
- POD Weight: 833kg



**M POD**



- Furnishing Options:
  - Exclusive L-Shaped Sofa
  - Meeting Table with Integrated Charging Ports
  - Bare Unit
- Additional Furnishing:
  - TV Bracket with AC Power Socket
  - Whiteboard
- Power Consumption: 0.47 A
- POD Weight: 914.8

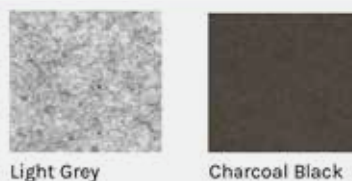
**SOFA - FABRIC COLOUR SELECTION**



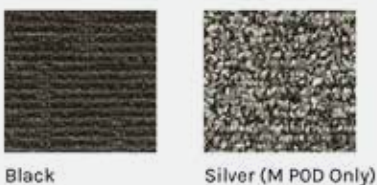
**EXTERIOR - COLOUR SELECTION**



**INTERIOR - ACOUSTIC SHEET COLOUR SELECTION**



**INTERIOR - CARPET COLOUR SELECTION**



**ALL RIGHTS RESERVED BY:**

**WINPOD 3.0**

exclusively by  **HighPoint**®