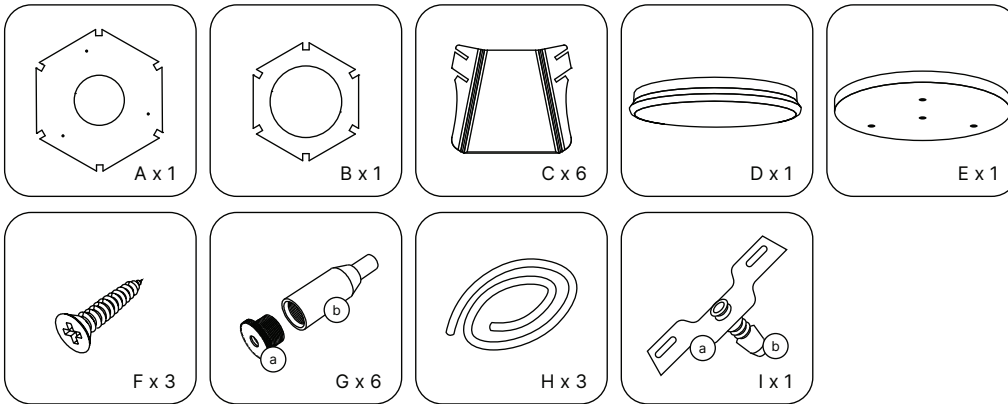
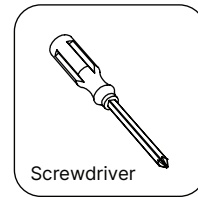


COMPONENT



TOOLS



ASSEMBLY INSTRUCTION

