

AUSTIN

Soft shapes showing stylish
comfort and ergonomic









CH192A



CH192B

Specification

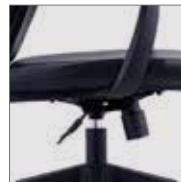
Back & Seat Rest	PU Leather
Armrest	Fixed with Polypropylene Material
Chair Base	Nylon



Fixed Headrest



Simple Mechanism
With 1 Position Lock



Adjustable
Tilting Tension



CH180B



CH180A



CH219B

Specification

Back Rest	Breathable Polyester Mesh
Seat	Fabric Upholstery
Armrest	Fixed with Polypropylene Material
Chair Base	Nylon



Adjustable Headrest



Tilt Mechanism
with 1 Position Lock



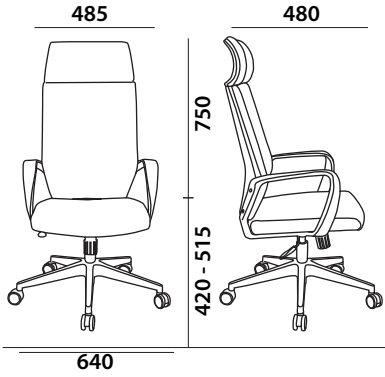
Lumbar Support

Specification

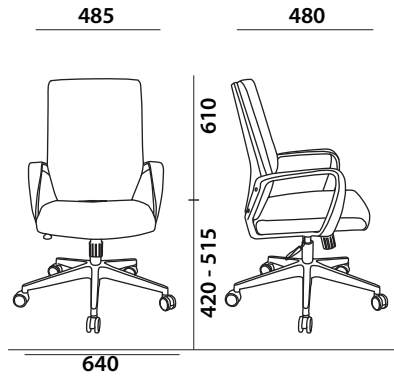
Back Rest	Breathable Polyester Mesh
Seat	Fabric Upholstery
Armrest	Fixed with Polypropylene Material
Chair Base	Nylon



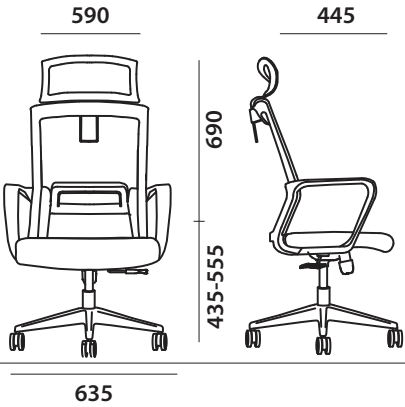
Simple Mechanism with 1 Position Lock



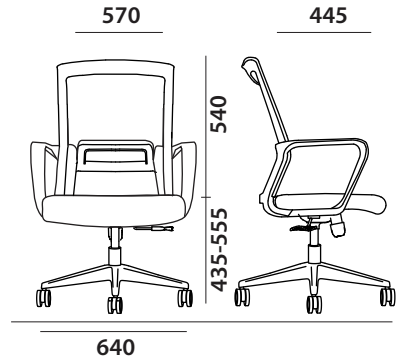
CH192A



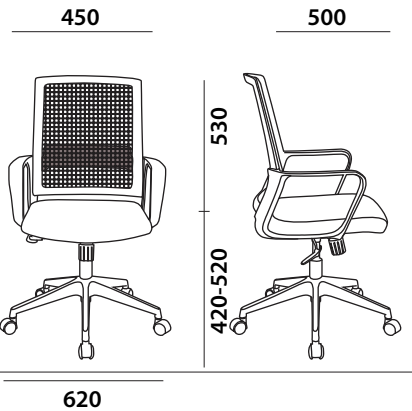
CH192B



CH180A



CH180B



CH219B