



Enjoy Security!



FEATURES

RECESSED DOUBLE CURVATURE FRAME PROVIDE VIRTUALLY AIR TIGHT CONSTRUCTION PREVENTING SMOKE AND HEAT DAMAGE.



ALARM SYSTEM AVAILABLE

ALARM SYSTEM SETS OFF SIRENE, UPON SENSING SHOCK.



AMAZING FIRE RESISTANT INSULATION **STYRONITE F**

SPACIOUS INTERIOR DIMENSIONS ALLOW FOR MORE EFFICIENT AND LARGER STORAGE AREA.

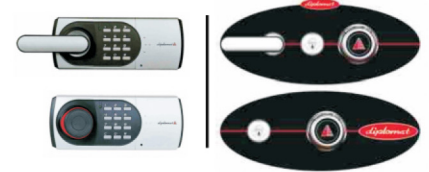
2 OR 3 WAY (UP, DOWN & LEFT SIDE) ACTIVE BOLTS AND DEAD BOLTS (RIGHT) TOTALLY 4 WAY LOCKING BOLTS PROVIDED.

FULLY ADJUSTABLE SHELF OR SHELVES



2 LOCKING SYSTEM TYPE

- EDL (Electronic Digital)
- Mechanical Lock



HANDLE SNAPS INTO POSITION AUTOMATICALLY WHEN DOOR IS CLOSED.

RECESSED DOUBLE CURVATURE FRAMES WORK DEAD BOLTS FROM TOP END TO BOTTOM END.

RUST FREE

100% TOP QUALITY EGI STEEL PLATE AND ANTI-RUST REFINED DURABLE PAINT PREVENTING RUST. EVERY DIPLOMAT SAFE IS CLEANED WITH ADVANCED PROCESS, REMOVING TOXIC FOREIGN MATTERS FROM EVERY SAFE SURFACE.

SCRATCH RESISTANT

TOP QUALITY EPOXY ANTIRUST PRIMER COAT. DURABLE ACRYLIC URETHANE HAMMERTONE FINISH PROVIDING SMOOTH, BRIGHT AND DURABLE SURFACE. OPTIMAL SCRATCH AND WEAR RESISTANT.

PRODUCTS

Dial



ACS001CCL



A125CCL



A060CCL



A120CCL

Digital



ACS001EN77



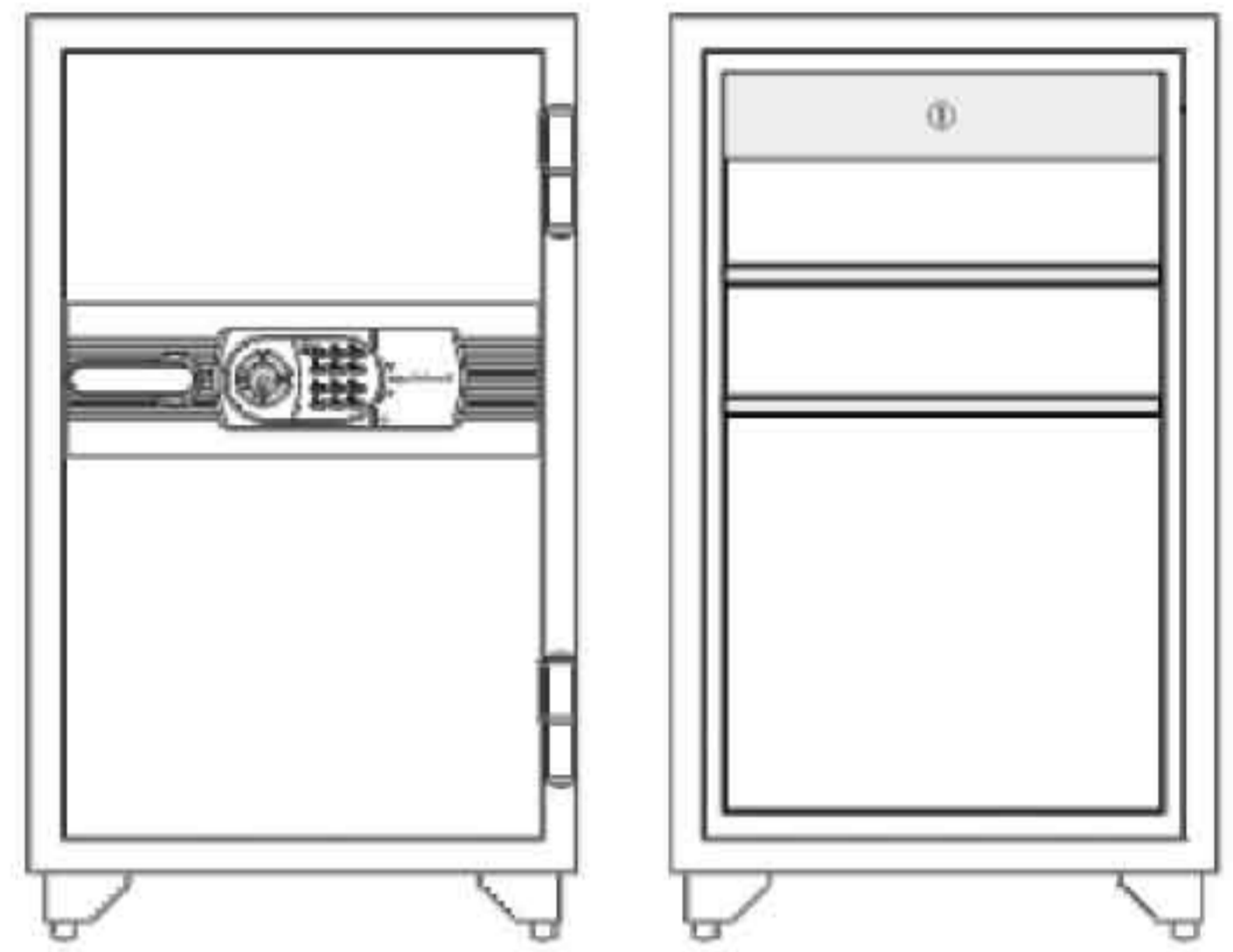
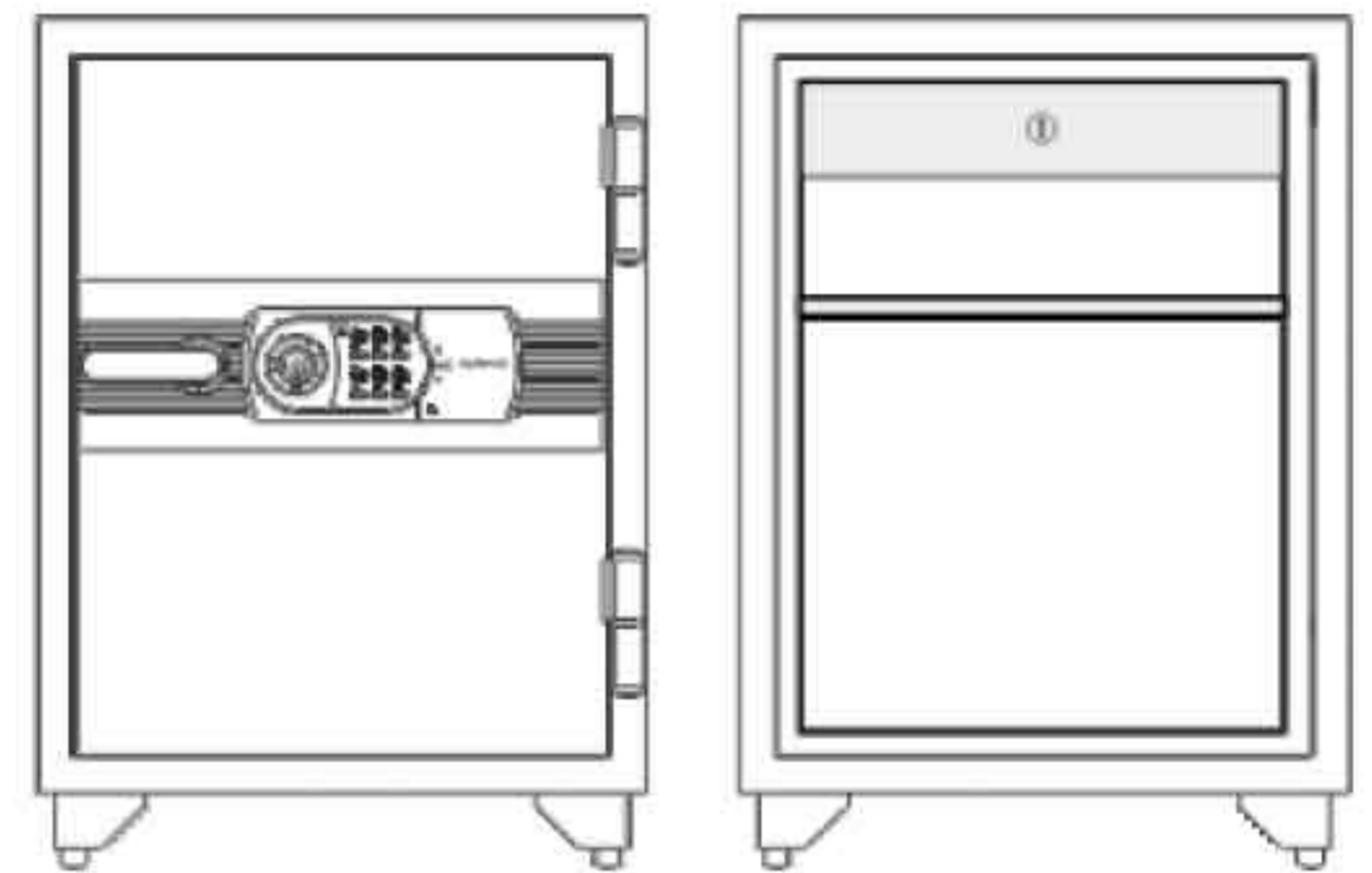
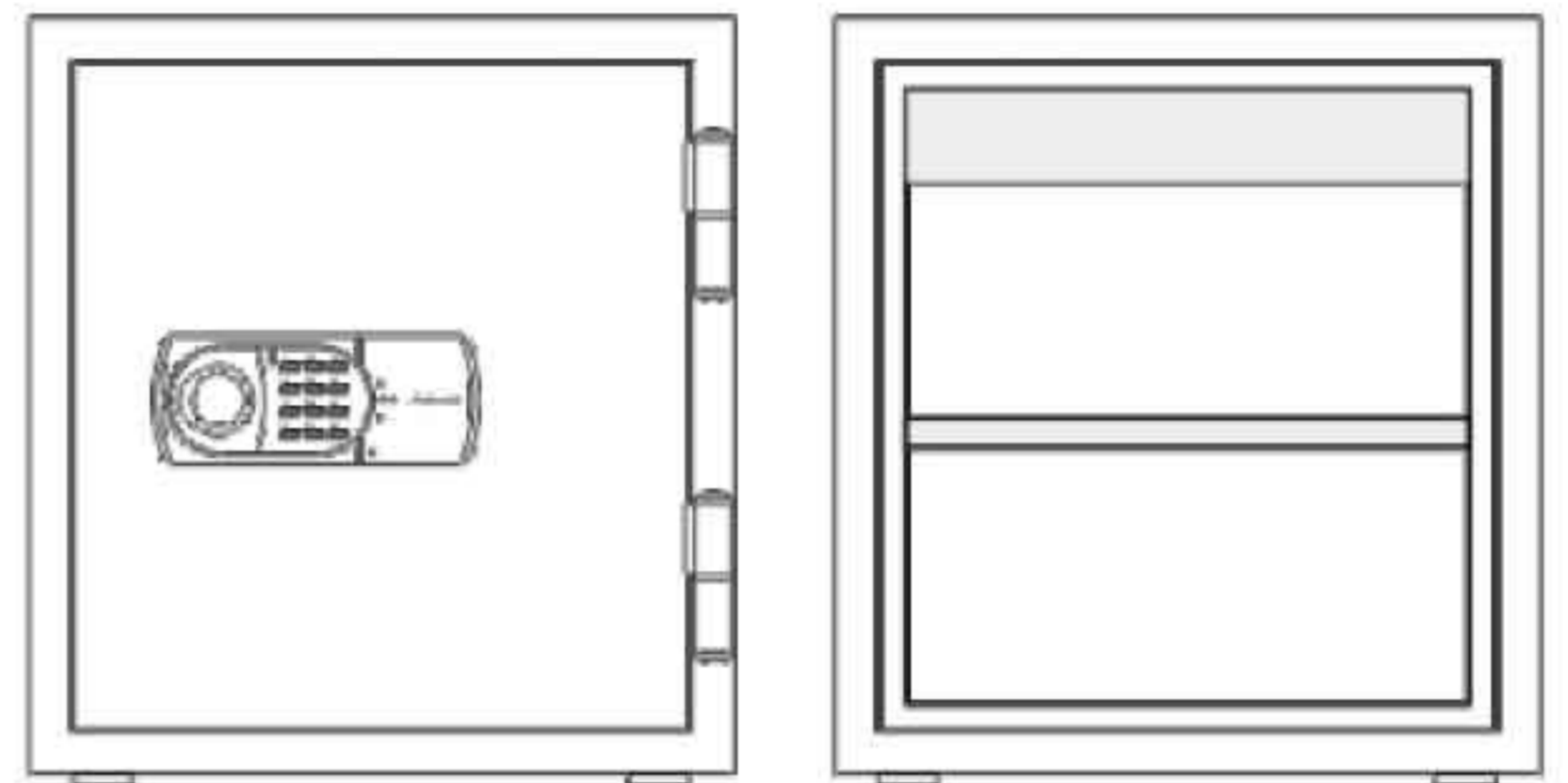
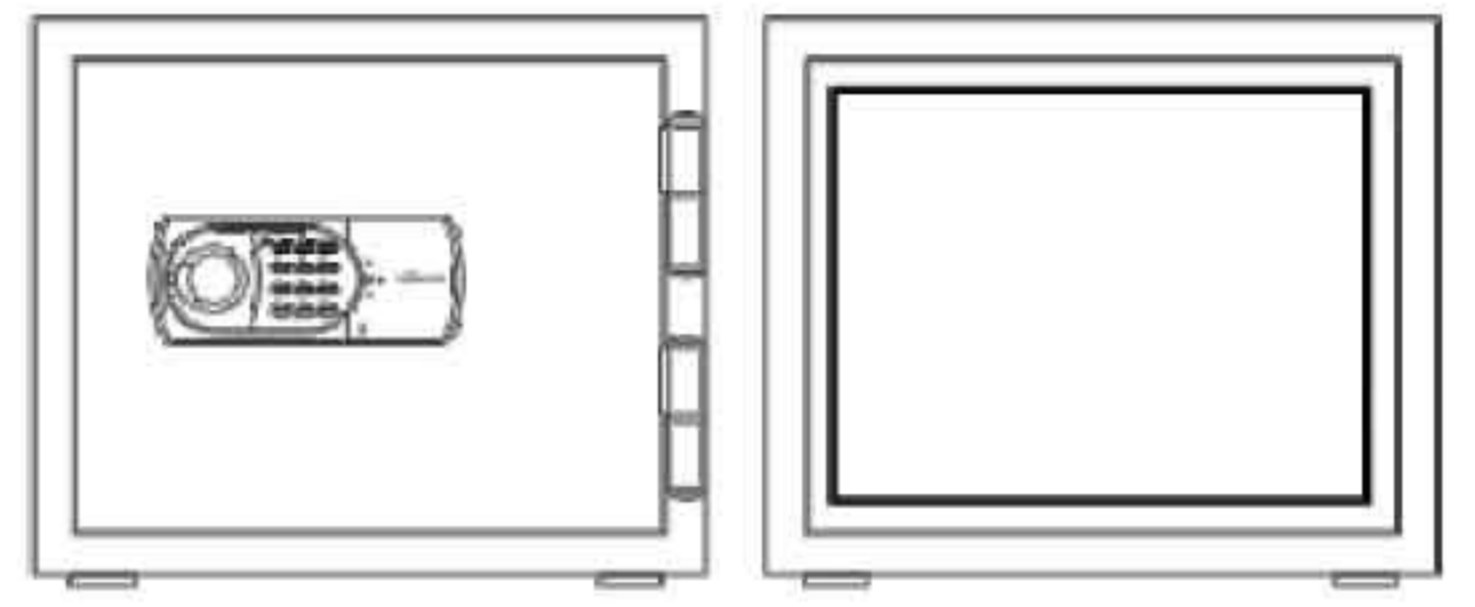
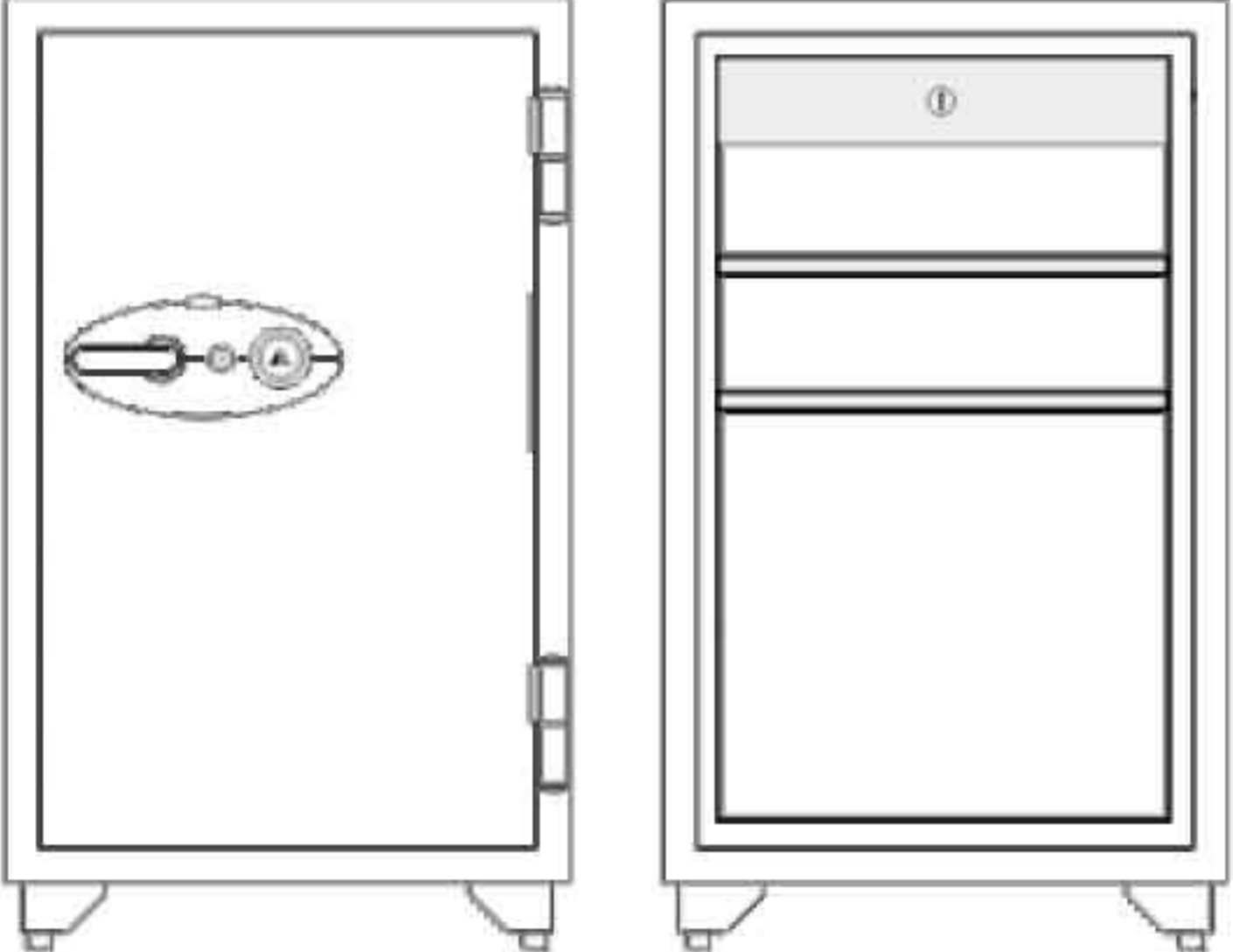
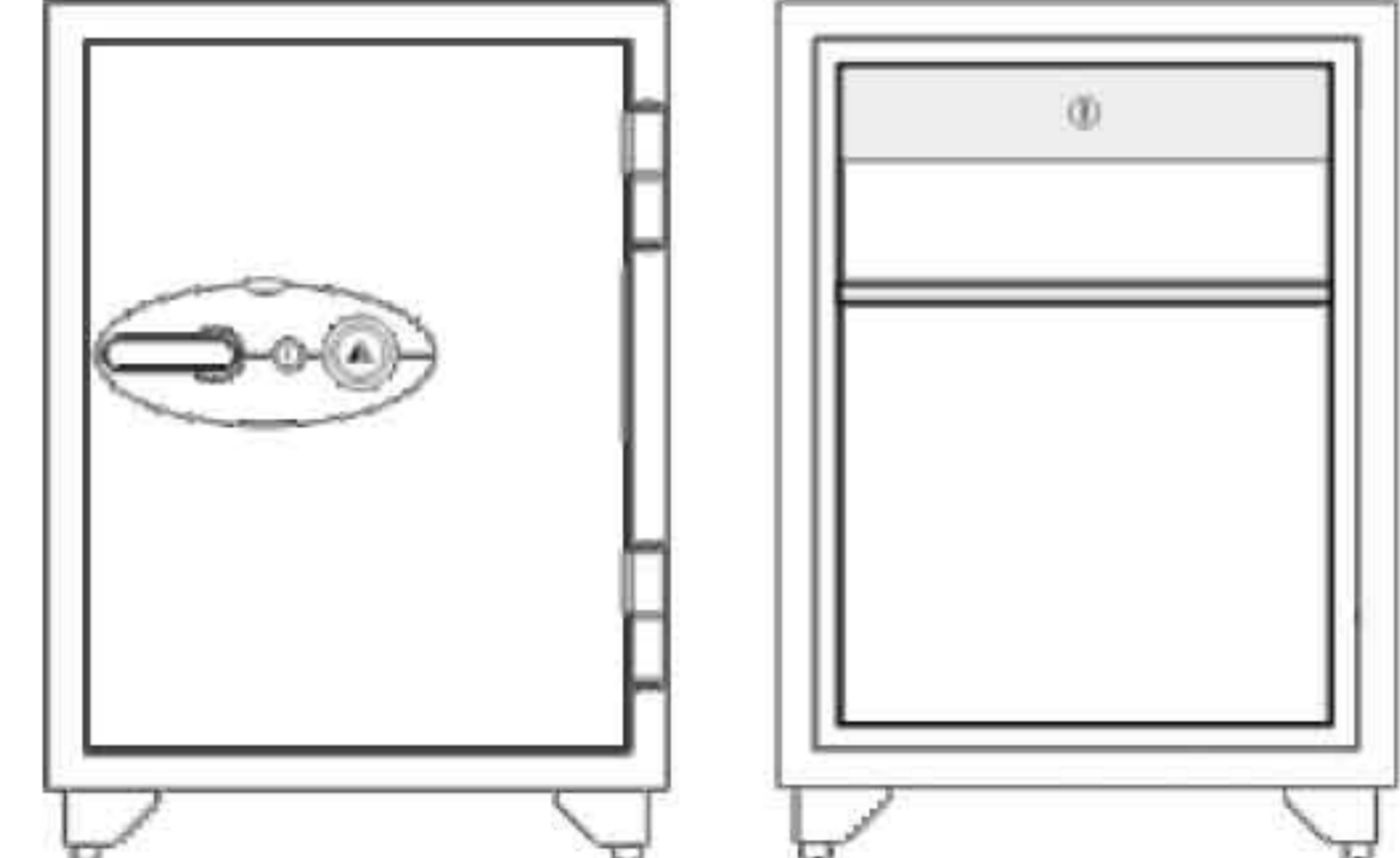
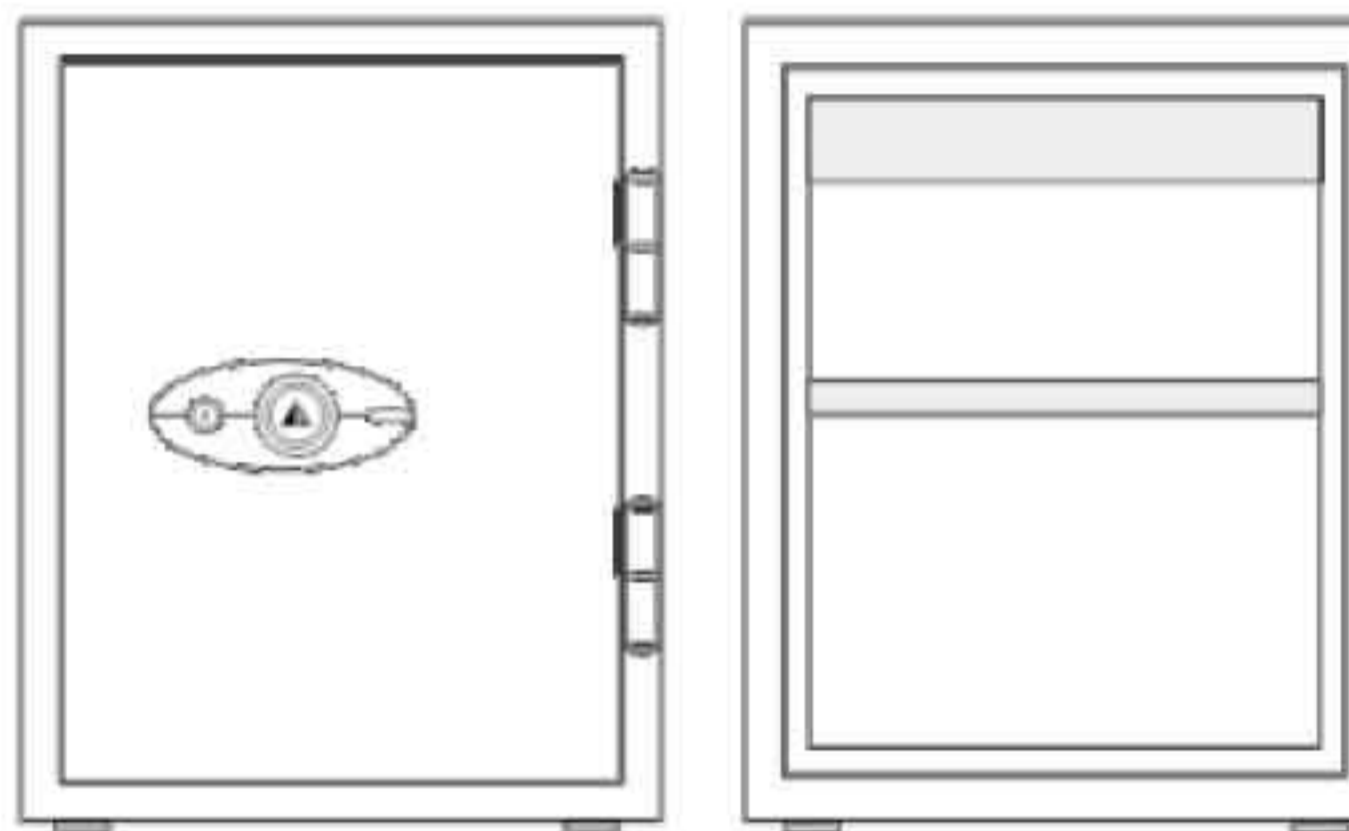
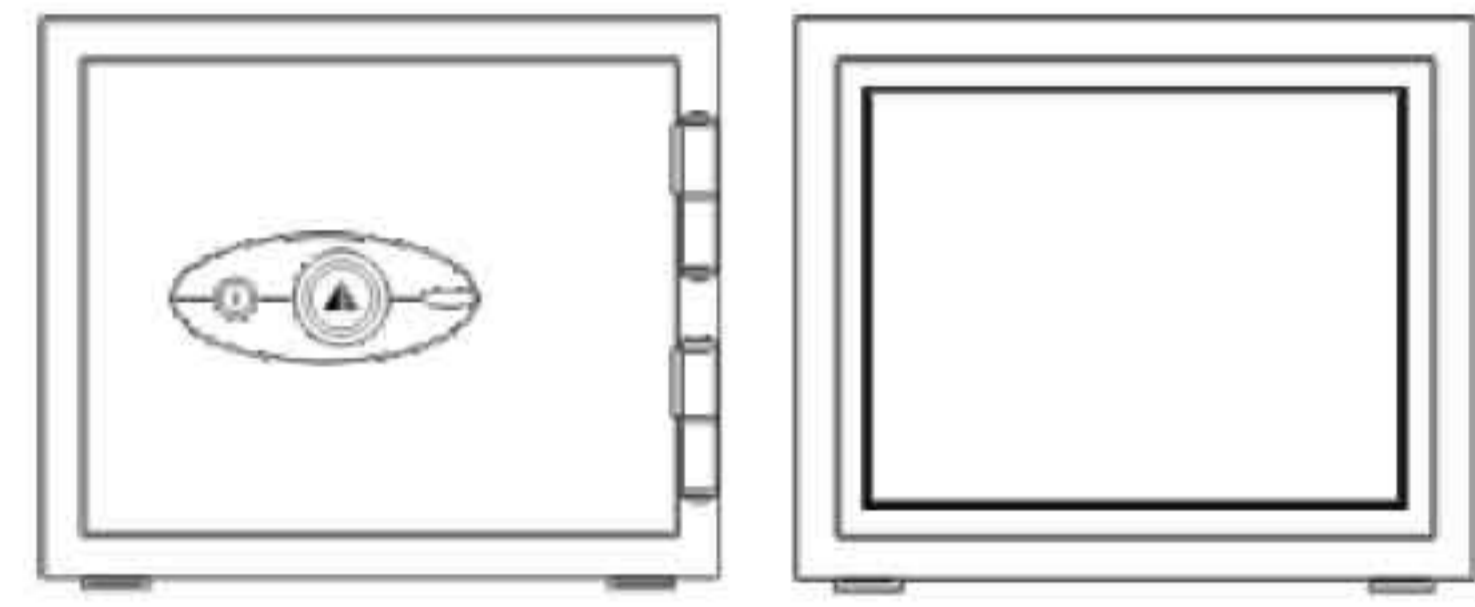
A125EN77



A060EHK77



A120EHK77



	ACS001CCL	A125CCL	A060CCL	A120CCL	ACS001EN77	A125EN77	A060EHK77	A120EHK77
Locking Type	Combination Lock, Keylock		Combination Lock, Keylock & Handle		EDL77+KNOB		EDL77+HANDLE+KEYLOCK	
Outside (mm)	H.308 W.410 D.342	H.420 W.352 D.433	H.660 W.470 D.470	H.1220 W.655 D.560	H.310 W.410 D.342	H.420 W.352 D.433	H.660 W.470 D.470	H.1220 W.655 D.560
Inside (mm)	H.220 W.330 D.225	H.320 W.260 D.304	H.480 W.350 D.350	H.980 W.475 D.350	H.220 W.330 D.225	H.320 W.260 D.304	H.480 W.350 D.300	H.980 W.475 D.350
Weight (Kg)	26	36	80	228	26	36	80	228
Capacity (Liter)	16	25	50	162	16	25	50	162
Drawer (pc)	-	1	1 + KEYLOCK	1 + KEYLOCK	-	1	1 + KEYLOCK	1 + KEYLOCK
Shelf (pc)	-	1	1	2	-	1	1	2
Color	Broken White	Broken White	Black Combi	Black Combi	Broken White	Broken White	Black Combi	Black Combi

FIRE TEST & RESULT



1

TEST SAFE LOADED (1)

TEST SPECIMEN SAFE IS LOADED IN THE FURNACE. TEMPERATURES AT SIX (6) POINTS INSIDE SAFE ARE CHECKED BY THE SENSORS OF THERMOCOUPLE.



2

HEATING TEST (2,3)

AT TEMPERATURE OF 1,010°C THE SAFE IS HEATED IN AIRTIGHT FURNACE OVER 60 MINUTES TO 120 MINUTES. MAXIMUM INSIDE TEMPERATURES ALLOWED BY SP AND KS ARE 150°C AND 177°C RESPECTIVELY.



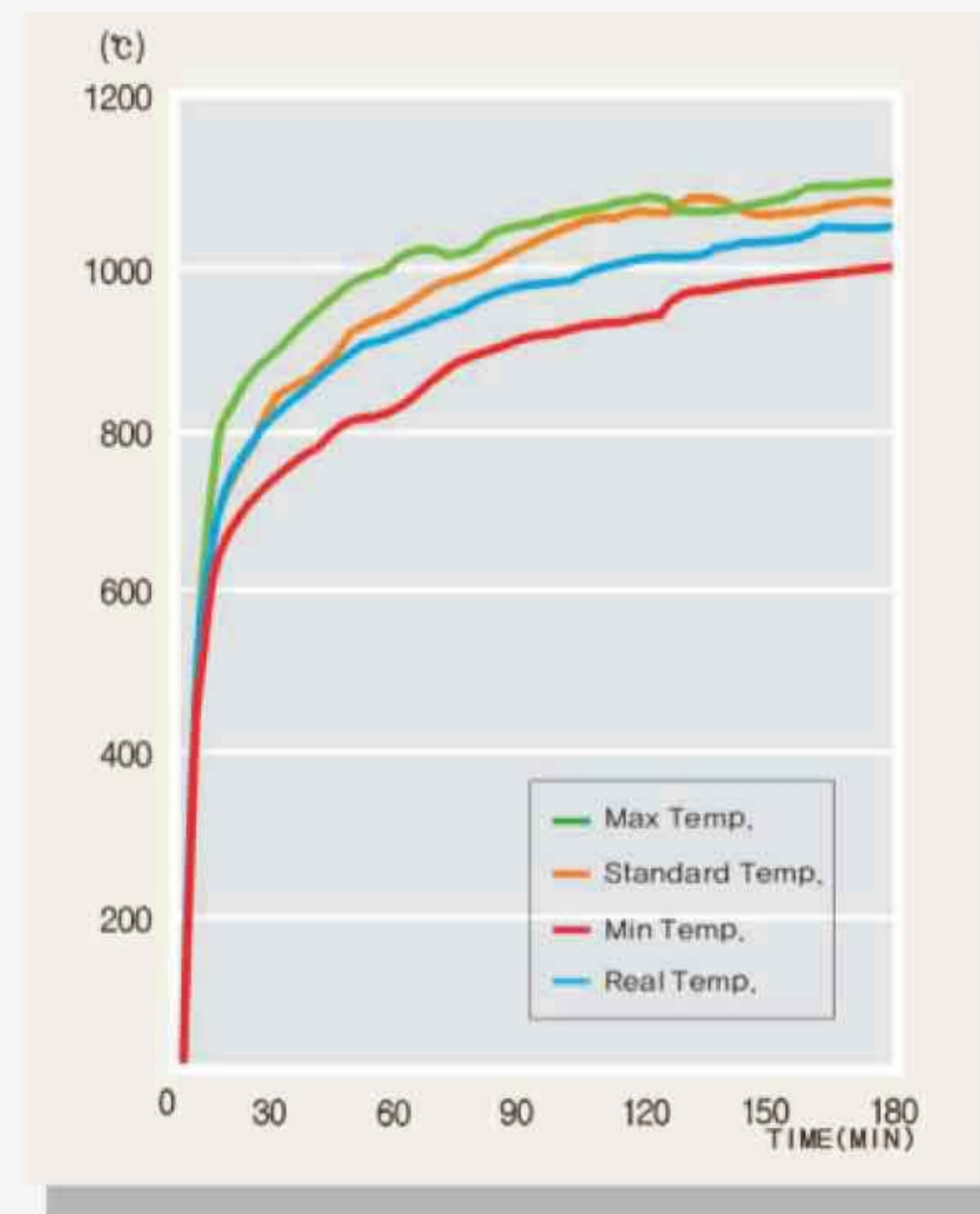
3

CHECK RESULT (4)

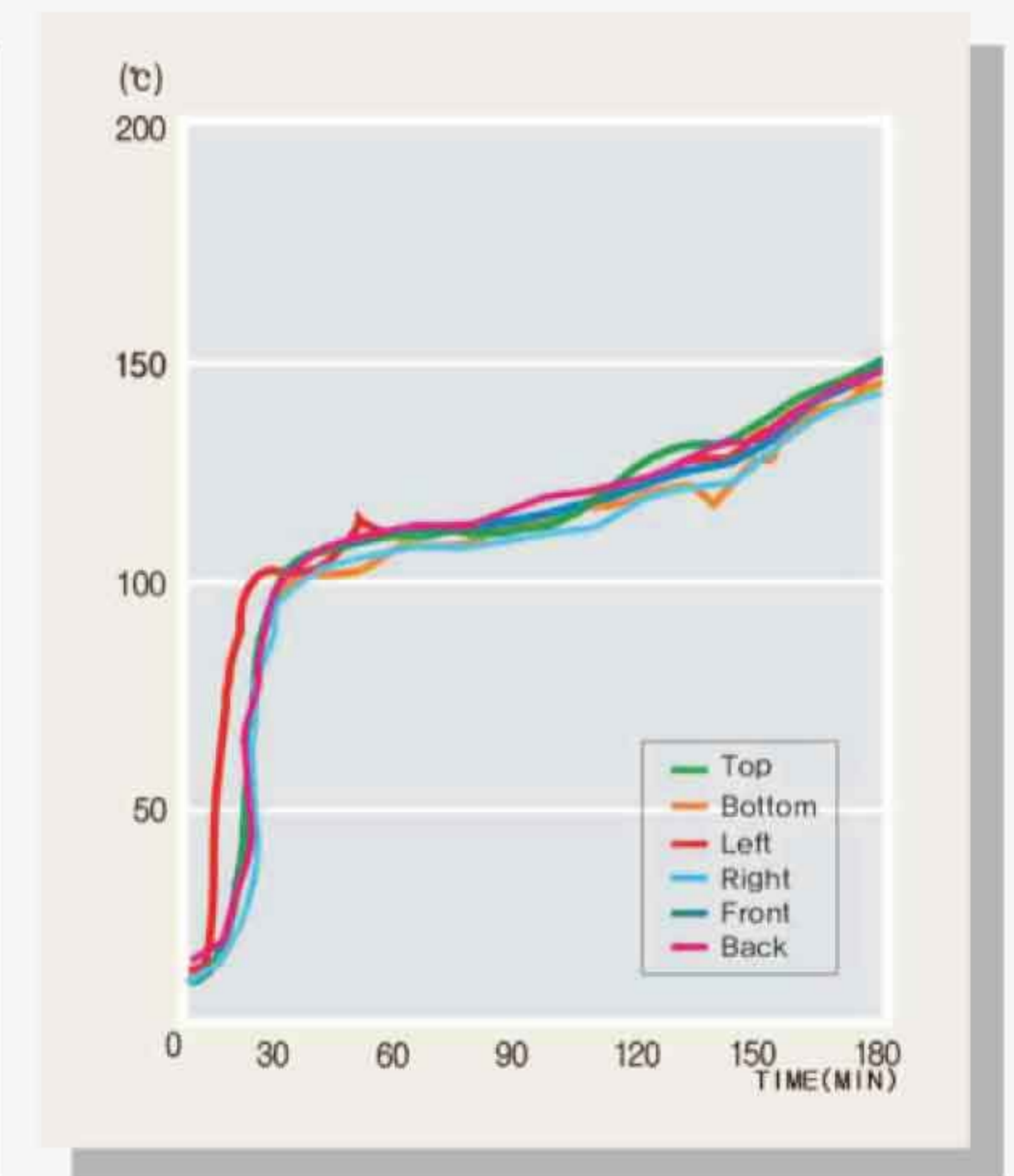
HEATING TEST IS FINISHED, AND TESTED SAFE IS TAKEN OUT TO CHECK IF INSIDE MATTERS ARE SAFE WITHOUT BURNT OUT. KS DEFINES THAT THE PAPERS SHOULD BE READABLE.



4



FURNACE TEMPERATURE



INTERNAL TEMPERATURE OF TESTED SAFE

GLOBAL QUALITY CERTIFICATIONS



KS CERTIFIED

FIRE RESISTANCE AND IMPACT TESTED UNDER KS G 4500 AND CERTIFIED P-S 1TKS, P-S 2TKS.



ISO 9001 CERTIFIED

QUALITY ASSURANCE SYSTEM ISO 9001 CERTIFIED BY EQA ICC (ENVIRONMENT QUALITY ASSURANCE INTERNATIONAL CERTIFICATION CENTER).



UL CERTIFIED

FIRE RESISTANCE TESTED AND CERTIFIED 350-1 HR BY UL. (UNDERWRITERS LABORATORIES INC).



P CERTIFIED

FIRE RESISTANCE TESTED AND CERTIFIED 60P, 90P, 120P UNDER NT FIRE 017 BY SP (SWEDISH NATIONAL TESTING AND RESEARCH INSTITUTE).

BENEFITS OF “**STYRONITE F**”

CHARACTERISTIC	OLD INSULATION (Inside foaming cone)	STYRONITE F (Ready-made Foam Cone)
1. Condition of foams	Invisible, irregular	Evenly uniformed, regular
2. Size of foam	2.7 mm	0.8 mm (More Foams)
3. Bulk Density (d/?)	0.76	0.57 (Less Weight)
4. Thermal Conductivity (W/m.K)	0.132	0.127 (Lower)
5. Compressive Strength (N/?)	14.9	16.7 (Harder)
6. Weather Influence	Affected by Temperature	None
7. Deformation of Safe	Defoamed	None
8. Productivity	Low (Manual Filling)	High (Auto Filling)
9. Scrap	Inflated over-flowage	None
10. Delivery Cost	High	Low (Approx. 15% less WT)

STYRONITE F is special **stable** pre-cast insulation material designed to provide better heat, fire and temper resistance.

Homogeneous foams of 0.8 mm size are distributed evenly in **STYRONITE F** generating lower thermal conductivity that assures better protection for valuable items easily damaged by **extreme** heat.

STYRONITE F is also harder compared to normal insulation foaming material, giving it better resistance to burglar tempering and breakage due to excessive force.

MARK	COUNTRY	CERTIFIED TEMPERATURE	CONTENTS
P	SWEDEN	150°C	PAPER
P	SWEDEN	50°C	DISKETTE, DATA MEDIA
KS	KOREA	177°C	PAPER
UL	U.S.A	177°C	PAPER



highpointoffice.com