

# FONTANA

Harmonization of Various  
Function with Simplicity







ESP003B



ESP003A



2D Adjustable  
Polypropylene Armrest



Adjustable Headrest



Adjustable  
Lumbar Support



Weight Sensitive Mechanism  
With 2 Position Lock



## Specification

Back Rest	Breathable Polyester Mesh
Seat	Fabric Upholstery
Chair Base	Nylon



CH242A



CH242B



Weight Sensitive Mechanism  
With 2 Position Lock



Adjustable &  
Tilting Headrest



Sliding Seat



Lumbar Support



## Specification

Back Rest	Breathable Polyester Mesh
Seat	Fabric Upholstery
Chair Base	Nylon
Armrest	Fixed with Polypropylene Material



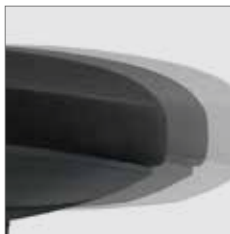
EVL002A



EVL002B



3D Adjustable  
Polyurethane Armrest



Sliding Seat



Weight Sensitive  
Mechanism With  
4 Position Lock



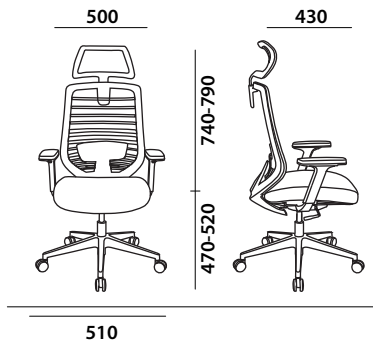
Adjustable  
Lumbar Support



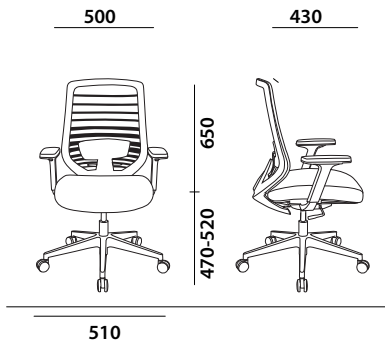
## Specification

Back Rest	Breathable Polyester Mesh
Seat	Fabric Upholstery
Headrest	Adjustable
Chair Base	Nylon

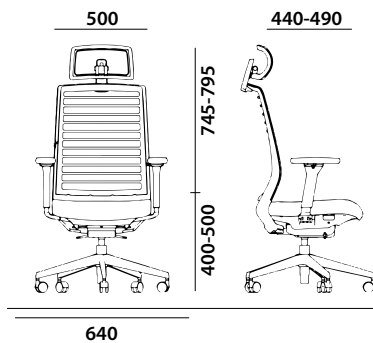




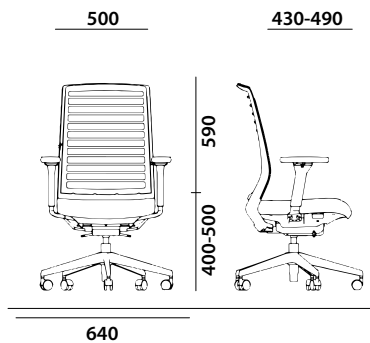
ESP003A



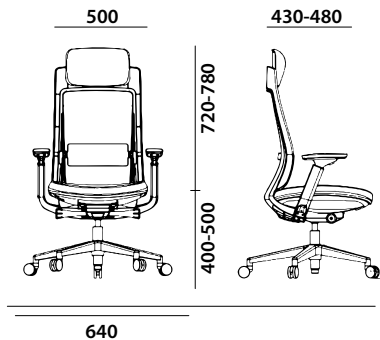
ESP003B



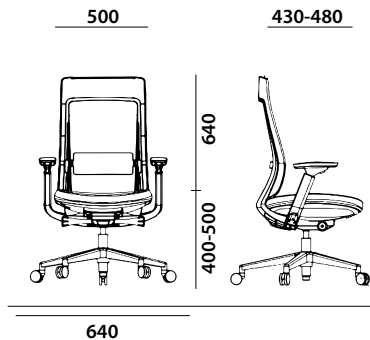
CH242A



CH242B



EVL002A



EVL002B