

MONTEREY Au

Auditorium Seating that
Ensures Great Comfort



ditorium





LS13601H

LS13601

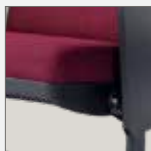


Specification

Back & Seat Rest	Full Fabric Upholstery on polyurathane.
Armrest	Polypropylene
Back Rest	Plastic Shell
Leg	Epoxy Coated, Mold-Pressed Steel Plate



Capacity



Dual Spring Tip-Up
Seat Mechanism



LS620T



LS605B

Specification

Back & Seat Rest	Full Fabric Upholstery on polyurathane
Armrest	Hard Wood
Back Rest	Smooth Vanish Multilayer Polywood
Leg	Epoxy Coated, Mold-Pressed Steel Plate



Capacity



Combination
Of Spring & Damping

Specification

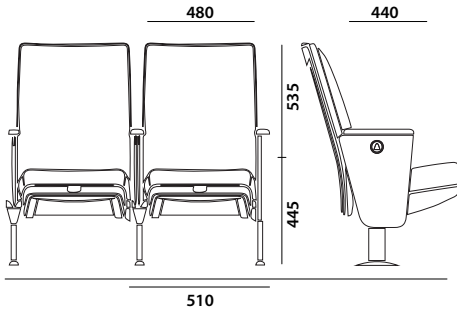
Back & Seat Rest	Full Fabric Upholstery on polyurathane
Armrest	Hard Wood
Leg	Epoxy Coated, Mold-Pressed Steel Plate



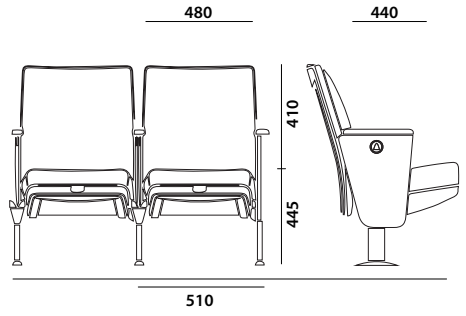
Capacity



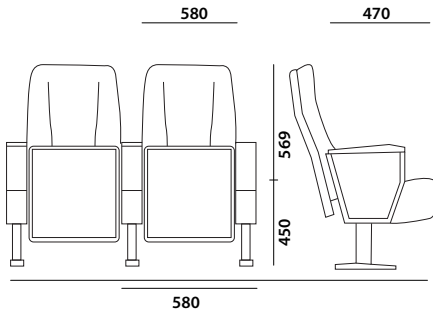
Tip-up Seat
by Counterweight



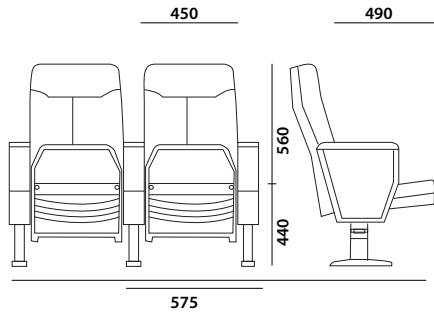
LS 13601H



LS 13601



LS 620T



LS 605B